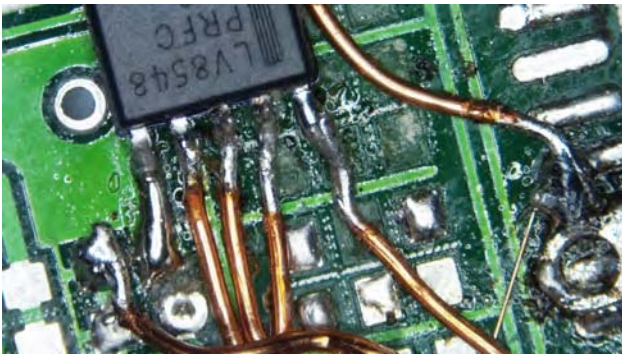


Ideal complete solution for daily inspection, operation, repairing and reporting.



High  
cost-effective

Ingenious  
light-weight  
design

Convenience  
manual focus  
knob on camera

Rotatable and  
flexible bracket  
for any angles  
observations

Unique DUAL LED  
Ring Lights to  
produce more  
details

On-screen  
menus for  
instant use

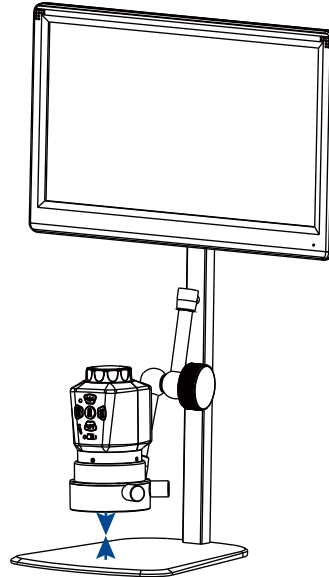
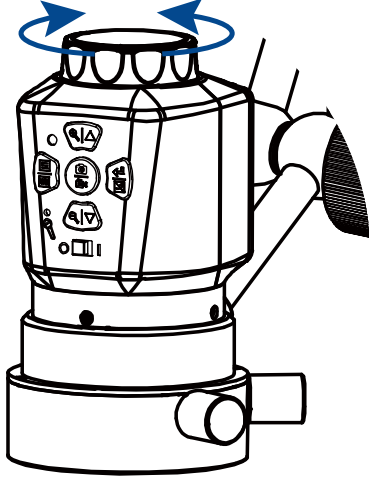
# Highlights

With compact design, the HD32 is comprised of a video microscope, HD camera, LED lighting and monitor. Offering truly imaging plus the flexibility and convenience of digital image capture. Combining the ergonomic benefits of this unique integration, it eliminates the vision limitations of traditional microscope, allowing operators freedom of head movement, providing superb ergonomics and hand-eye co-ordination.

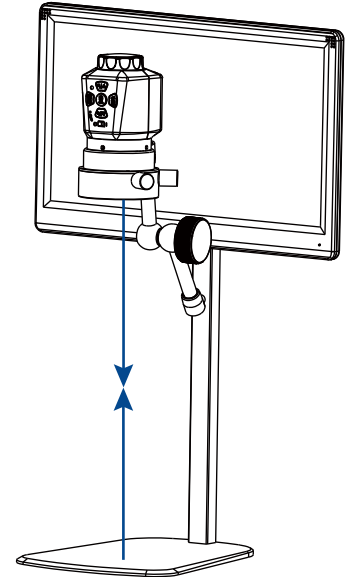
It has unique manual focus knob on top of camera helps you to produce the sharpest image within the working distance (33mm~320mm) when the observation object size changed from small to large. Avoid tedious adjustment work and directly change the working distance through eye-height adjustment ring and expand the original magnification ratio of the microscope.

1

Increase focal length      Decrease focal length



Min. working distance: 33mm



Max. working distance: 320mm

Achieve sharpest images by manual focal knob adjustment



4.8x~55x overall magnification (Based on actual measurement on 12.5" monitor). It is ideal complete solution for low magnification inspection, operation, repairing and reporting.

2

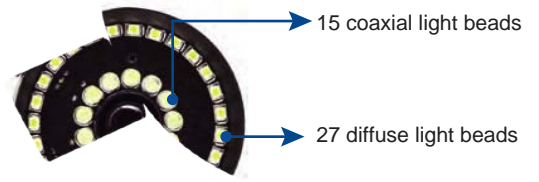
With a factory integrated 3.5MP 1080i 60pfs digital camera and 8.0MP HD lens.

3



Fatigue-free optical observation under excellent diffuse light & external coaxial light.

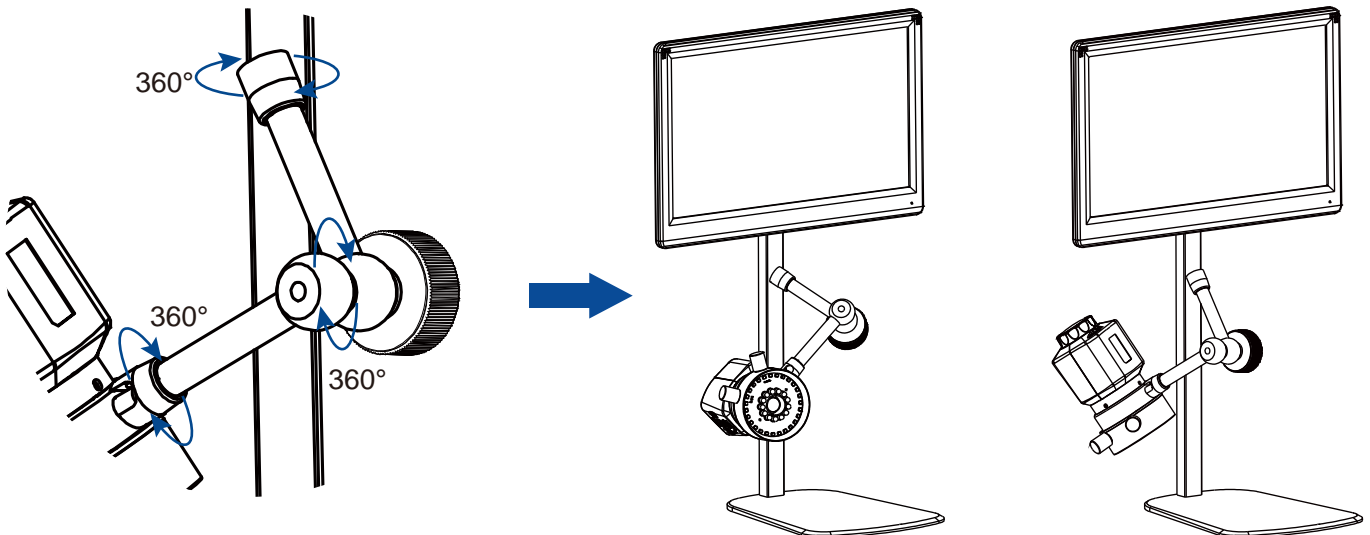
- Reduce glare under diffuse light.
- More conducive to the observation of the smooth surface, the highly reflective surface and the hard-to-reach area under external coaxial light.
- The two ring lights are independently controlled, and the brightness can be freely combined and adjusted according to the actual observation situation.
- It is powered by the monitor safe and reliable, and reduces the floor line, save space of working table.



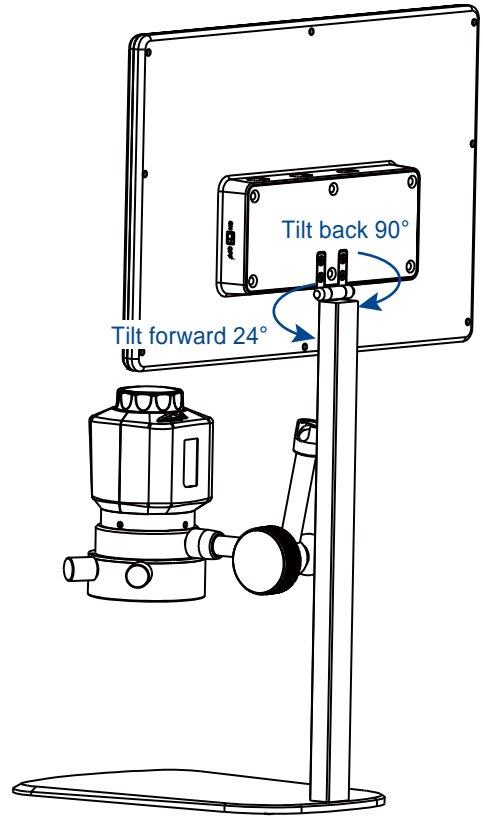
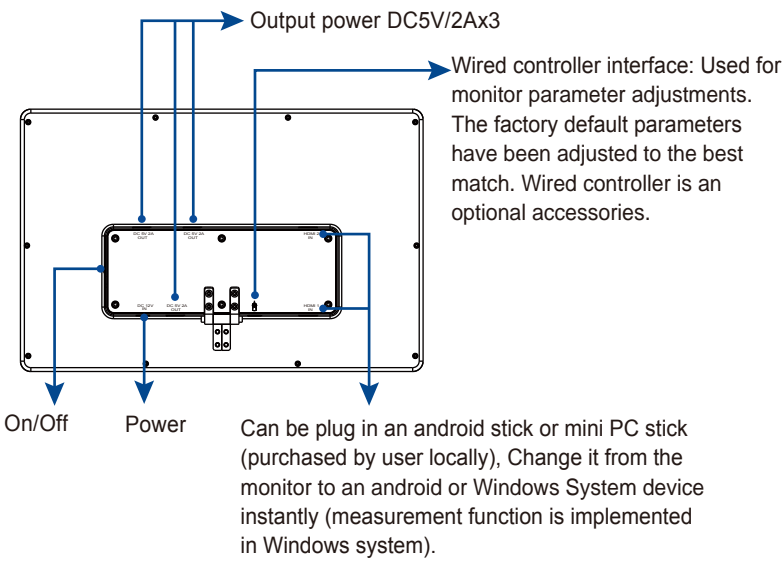
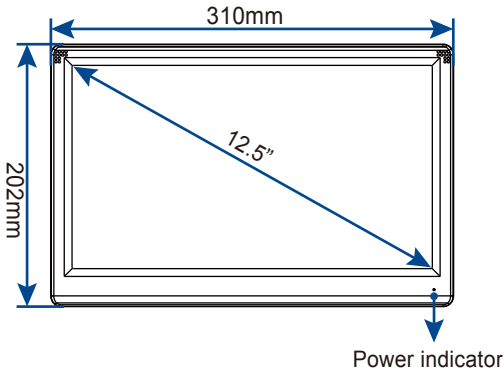
	With diffuse light	With external coaxial light & diffuse light
PCB		 More details shown
Surface of glass		 Clearer surface scars
Surface of metal		 Stronger sense of 3D

Outstanding ergonomics design with 360° universal shaft bracket for operator to view from different angles, Free up the operator's head and body, the work efficiency can be improved and fatigue can be reduced effectively.

It is flexible and easy to use, convenient for operator's head and body, the work efficiency can be improved and

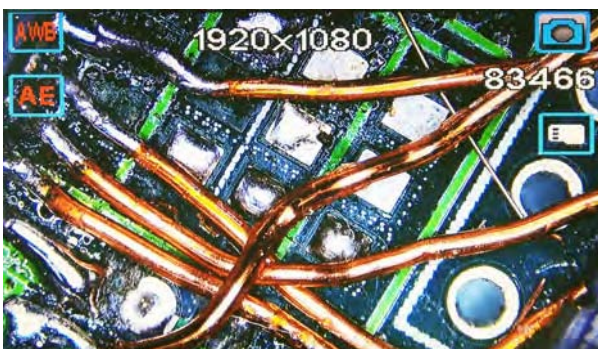
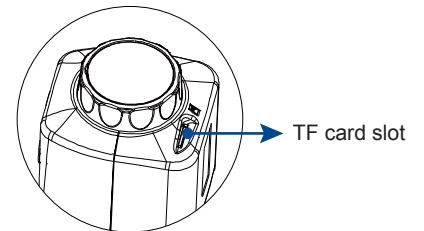


Integrated solution - one device can achieve multiple functions of low magnification tasks; Equipped with all-in-one 12.5" monitor, when needed, operator can fine-tune screen angle to look up (max 90°) or look down (max 24°)



Simple, easy-to-use image and video capture software is included as standard to allow you to use it instantly.

- Camera buttons can optimize camera settings, including white balance, exposure, sharpness, contrast, freeze, crosshairs, and more.
- The software menu supports 9 languages: English, Chinese (Simplified/Traditional), Japanese, Russian, French, German, Italian, and Spanish.
- The captured image supports JPG format.
- Recorded video supports MOV format, perfect for training.
- Equipped with TF card slot, support up to 64G TF card for image and video saving (self-provided TF card).



Rich Functions

- |                          |                 |                        |            |
|--------------------------|-----------------|------------------------|------------|
| Exposure                 | HDR             | Key tone               | Freeze     |
| White balance            | Sharpness       | Auto turn off          | Reticle    |
| Resolution               | Snapshot mode   | Languages              | Formatting |
| Continuous Capture Modes | Color           | Light source frequency | Default    |
| Image quality            | Instant preview | Image rotation         | Version    |



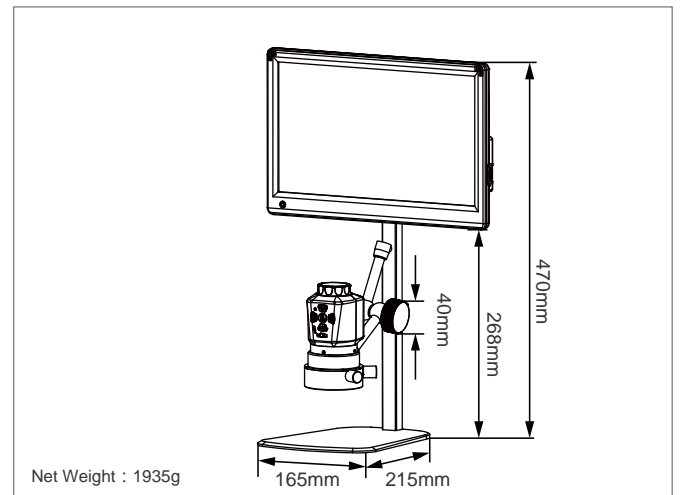
## Specifications

HD32 Camera specifications	
Image Sensor	Aptina AR0330 CMOS Sensor
Expose mode	Rolling shutter
Maximum Resolution	2304 x 1536 (3,538,944 pixels)
Sensor Optical Format	1/3" (5.07mm(H) x 3.38mm(V), Diagonal 6.09mm)
Pixel Size	2.2µm x 2.2µm
Dynamic Range	69.5dB
SNR (Signal Noise Ratio)	39dB
Spectral Characteristics	380~650nm
Exposure Capability	Real-time auto, Single auto, Manual adjustment
White Balance	Real-time auto, Single auto, Manual adjust R G B separately
Display (preview) resolution	HDMI: 1920X1080i60, 1920X1080P30, 1280x720P60, 640x480P60(Auto fit by the monitor)
Record format	Snapshot Picture Format: JPG Resolution: HDMI: 2304 x 1536, 2304 x 1296, 1920x1080, 1280x720, 800x480 Record Video Format: MOV Resolution: HDMI: 1280x720@30FPS, 800x480@30FPS
Record Route	HDMI: TF card(Maximum support 64G)
Power supply	Power adapter: Input:AC100~240V/50~60Hz; Output:DC12V/5A/60W Monitor: USB-A-Output:DC5V/2Ax3

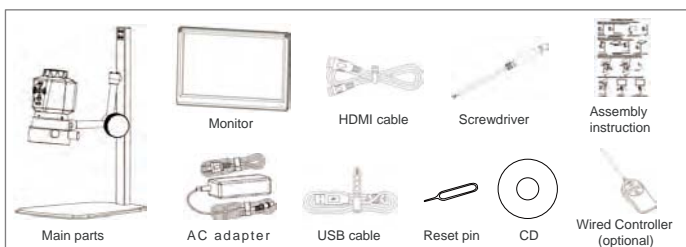
HD32 Lens specifications	
Working distance	33mm ~320mm
Depth of field	0.8mm~7mm
Magnifications	4.8X~55X overall magnification (Based on actual measurement on 12.5" monitor).
Horizontal x vertical	5 mmx 2.8mm (on the highest magnification) ~57mm x 32mm (on the lowest magnification 55X)

Monitor parameters	
Size	12.5"
Type	a-Si TFT-LCD/IPS
Resolution	1920x1080
Color display	16.7M
Brightness	300 Nit
Contrast	800:1
Visible angle	170° horizontal & vertical

## Dimensions



## Packing list



Lanoptik Technologies Limited

R1002, No.140 Zhongshan Ave. Guangzhou, China 510630

Phone: +86 20 38986017 Fax: +86 20 38476076

Email: sales@lanoptik.com Website: www.lanoptik.com